

# Silicon Bridge Rectifiers

## FTBF20K--FTBF20M

### Features

- Glass passivated junction
- High surge current capability
- Saves space on printed circuit boards
- High temperature soldering guaranteed:  
260°C/10 seconds

- RoHS Compliant

### Mechanical Data

- Case: TBF molded plastic
- Molding compound meets UL 94 V-0 flammability rating
- Terminals: Lead Free Plating (Matte Tin Finish.)
- Polarity indicator: As marked on body



### Maximum Ratings (@T<sub>A</sub> = 25°C unless otherwise specified)

Characteristic		Symbol	FTBF20K	FTBF20M	Units
Peak repetitive reverse voltage		V <sub>RRM</sub>	800	1000	V
RMS reverse voltage		V <sub>RMS</sub>	560	700	V
DC blocking voltage		V <sub>DC</sub>	800	1000	V
Maximum average forward output current		I <sub>F(AV)</sub>	2.0		A
Peak forward surge current, 8.3ms single half-sine-wave	@T <sub>J</sub> = 25°C	I <sub>FSM</sub>	50		A
I <sup>2</sup> t Rating for fusing	@T <sub>J</sub> = 25°C	I <sup>2</sup> t	10.4		A <sup>2</sup> s

### Thermal Characteristics

Parameter	Symbol	FTBF20K	FTBF20M	Units
Typical thermal resistance per leg (Note 1)	R <sub>θJA</sub>	45		°C/W
	R <sub>θJC</sub>	17		
	R <sub>θJL</sub>	10		
Operating junction temperature range	T <sub>J</sub>	- 55 ---- + 150		°C
Storage temperature range	T <sub>STG</sub>	- 55 ---- + 150		°C

Note:

1. Device mounted on PCB with 10 mm x 20 mm x 0.1mm copper pad areas

## Silicon Bridge Rectifiers

## FTBF20K--FTBF20M

### Electrical Characteristics (@T<sub>A</sub> = 25°C unless otherwise specified)

Parameter	Symbol	Test conditions	Typ.	Max.	Units
Maximum instantaneous forward voltage	V <sub>F</sub>	I <sub>F</sub> =2.0A Per Diode	--	1.3	V
Maximum Reverse current	I <sub>R</sub>	Rated V <sub>R</sub> , Per Diode	@T <sub>A</sub> =25°C	5	μA
			@T <sub>A</sub> =125°C	200	
Maximum Reverse Recovery Time	trr	I <sub>F</sub> =0.5A, I <sub>RM</sub> =1A, I <sub>R(REC)</sub> =0.25A	--	250	ns

# Silicon Bridge Rectifiers

# FTBF20K--FTBF20M

## Ratings and Characteristic Curves ( $T_A=25^\circ\text{C}$ unless otherwise noted)

Fig.1-Forward Current Derating Curve

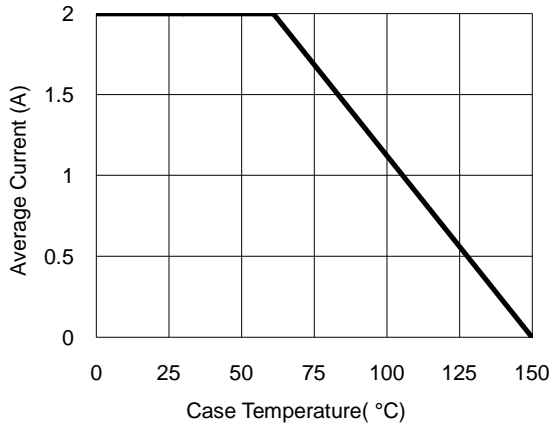


Fig.2- Surge Current Derating Curve

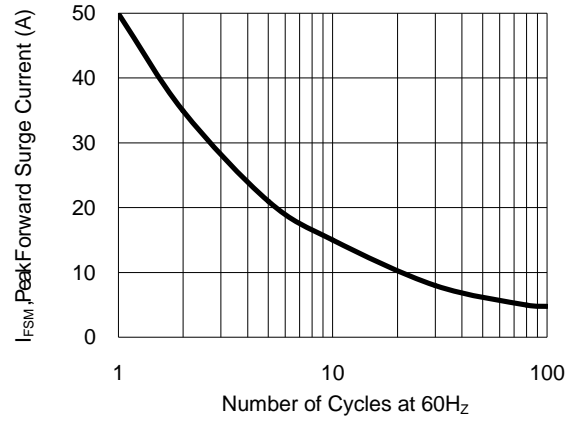


Fig.3- Typical Forward Voltage Characteristic

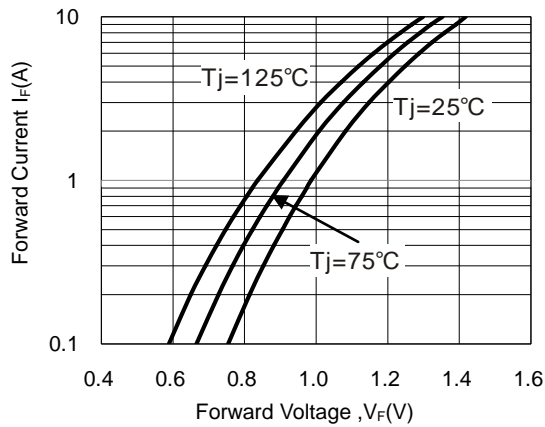
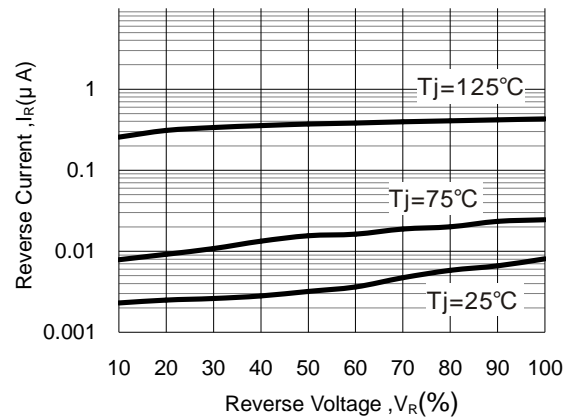


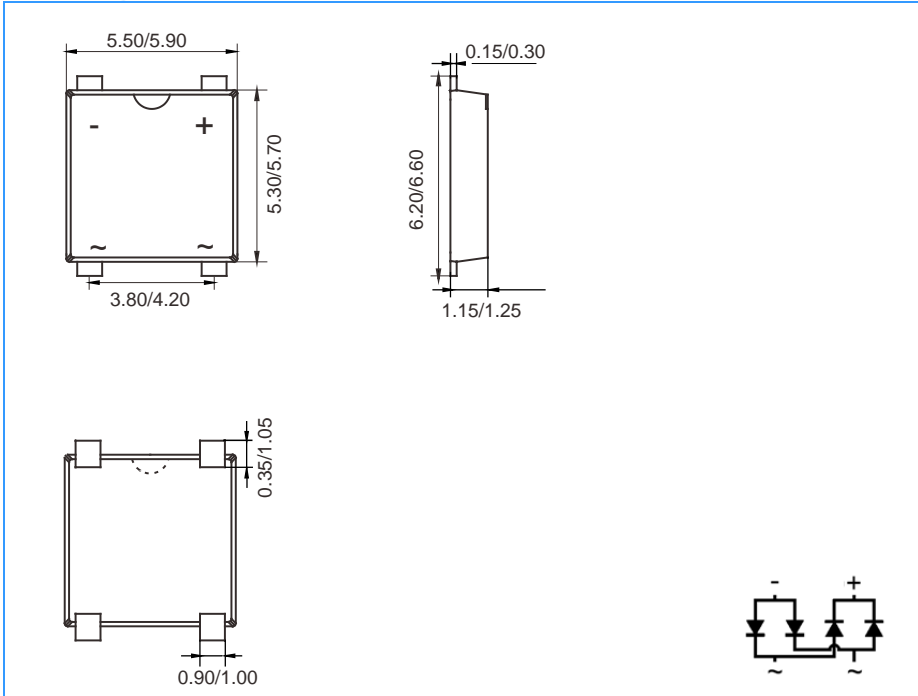
Fig.4- Typical Reverse Characteristic



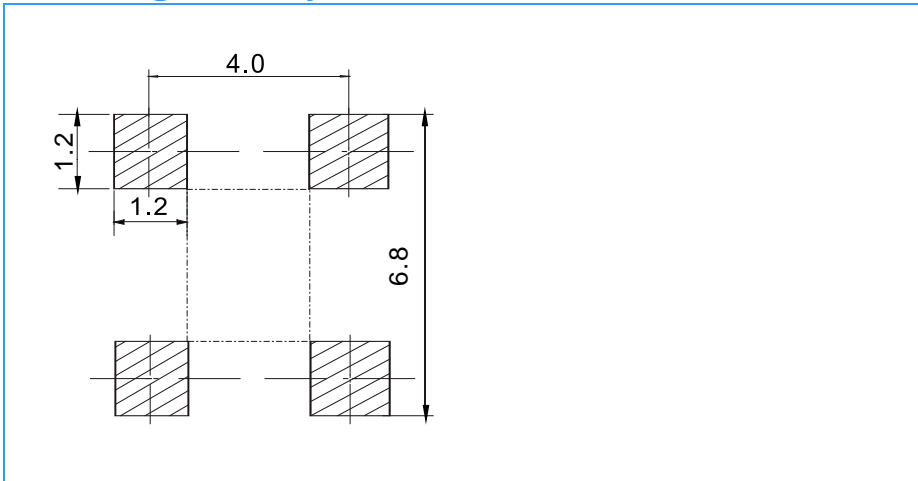
## Silicon Bridge Rectifiers

## FTBF20K--FTBF20M

### Package Outline Dimensions(unit:mm)



### Mounting Pad Layout(unit:mm)



### Ordering Information

Part No.	Marking	Package	Shipping
FTBF20K	FTBF20K	TBF	5000/Tape&Reel
FTBF20M	FTBF20M	TBF	5000/Tape&Reel